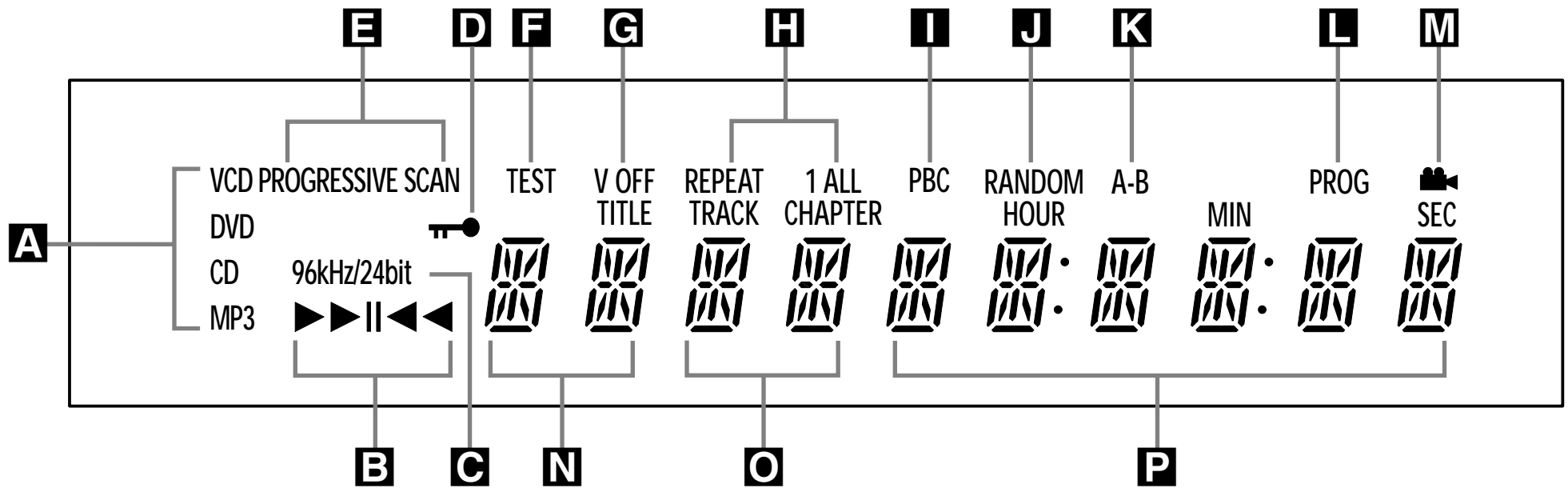


DVD 101 FRONT-PANEL INFORMATION DISPLAY



- | | | |
|-------------------------------------|---|--|
| A Disc-Type Indicators | G V-OFF Indicator | M Angle Indicator |
| B Playback-Mode Indicators | H Repeat Indicator | N Title Indicators |
| C 96kHz/24-Bit Indicator | I VCD Playback Control Indicator | O Chapter/Track Number Indicators |
| D Parental Lock Indicator | J Random Indicator | P Time Indicators |
| E Progressive Scan Indicator | K A-B Repeat Indicator | |
| F Test Indicator | L Program Indicator | |